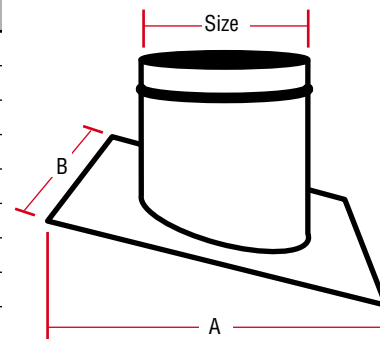


2.5 Pound Flashing **LEAD ROOF JACK**

Size	CMI#	QTY	Flange: A x B	Height
1.5 inch	RJL15	15	10 in. x 10 in.	12 in.
2 inch	RJL2	15	10 in. x 10 in.	12 in.
4 inch	RJL4	8	12 in. x 12 in.	12 in.


 28 Gauge Galvanized Steel **PITCHED ROOF JACK**

Size	CMI#	QTY	Max. Slope	Flange: A x B
1 inch	PRJ1G	24	8:12	12 in. x 12 in.
1.5 inch	PRJ1.5G	24	8:12	12 in. x 12 in.
2 inch	PRJ2G	24	8:12	14 in. x 14 in.
2.5 inch	PRJ2.5G	24	8:12	14 in. x 14 in.
3 inch	PRJ3G	24	8:12	15 in. x 15 in.
4 inch	PRJ4G	24	8:12	15 in. x 15 in.
5 inch	PRJ5G	24	8:12	16 in. x 16 in.
6 inch	PRJ6G	24	8:12	18 in. x 18 in.
7 inch	PRJ7G	24	8:12	20 in. x 20 in.
8 inch	PRJ8G	24	8:12	20 in. x 20 in.
9 inch	PRJ9G	24	6:12	22 in. x 22 in.
10 inch	PRJ10G	12	6:12	22 in. x 22 in.
11 inch	PRJ11G	12	6:12	24 in. x 24 in.
12 inch	PRJ12G	12	6:12	24 in. x 24 in.
13 inch	PRJ13G	12	6:12	26 in. x 26 in.


 28 Gauge Galvanized Steel **FLAT ROOF JACK**

Size	CMI#	QTY	Flange: A x B
1 inch	FRJ1G	24	12 in. x 12 in.
1.5 inch	FRJ1.5G	24	12 in. x 12 in.
2 inch	FRJ2G	24	12 in. x 12 in.
2.5 inch	FRJ2.5G	24	12 in. x 12 in.
3 inch	FRJ3G	24	12 in. x 12 in.
4 inch	FRJ4G	24	14 in. x 14 in.
5 inch	FRJ5G	24	14 in. x 14 in.
6 inch	FRJ6G	24	15 in. x 15 in.
7 inch	FRJ7G	24	16 in. x 16 in.
8 inch	FRJ8G	24	18 in. x 18 in.
12 inch	FRJ1/2G	24	14 in. x 14 in.

